

NI SCXI™-1128 Specifications

32-Channel Solid State Relay Multiplexer/Matrix

This document lists specifications for the NI SCXI-1128 multiplexer/matrix module. All specifications are subject to change without notice. Visit ni.com/manuals for the most current specifications.

Configurations..... 64 × 1 1-wire multiplexer
32 × 1 2-wire multiplexer
16 × 1 4-wire multiplexer
4 × 8 2-wire matrix

Input Characteristics

All input characteristics are DC, AC_{rms} , or a combination unless otherwise specified.

Maximum switching voltage

Channel-to-channel 250 V, CAT II

Channel-to-ground 250 V



Caution Modules that can connect to a common high-voltage analog backplane derate to their lowest common voltage rating. Refer to the *NI Switches Getting Started Guide* for more information.

When hazardous voltages ($>42.4 V_{pk}/60 VDC$) are present on any relay terminal, safety low-voltage ($\leq 42.4 V_{pk}/60 VDC$) cannot be connected to any other relay terminal.

Maximum switching current 30 mA at 10 VDC
(per channel) 0.8 mA at 250 VAC

Maximum switching power 0.3 W
(per channel)

DC path resistance $<1.2 k\Omega$

Offset voltage

0 °C to 25 °C	<25 μ V
25 °C to 50 °C	<100 μ V

RF Performance Characteristics

Typical channel-to-channel isolation
(50 Ω termination)

100 Hz	>80 dB
1 kHz	>70 dB
10 kHz	>55 dB
100 kHz	>35 dB
1 MHz	>20 dB

Dynamic Characteristics

Maximum scan rate	1,200 channels/s
Relay operate time (at 20 °C)	0.25 ms typical, 0.5 ms max
Release time (at 20 °C)	0.08 ms typical, 0.2 ms max

Trigger Characteristics

Input trigger

Sources	SCXI trigger line 0, Rear connector, Front panel
Minimum pulse width	500 ns

Scanner advanced trigger

Destinations	SCXI trigger line 2, Front panel
Pulse width	1.1 μ s

Physical Characteristics

Relay type	Solid state relay (SSR)
Dimensions (W × H × D).....	3.0 cm × 17.3 cm × 19.6 cm (1.2 in. × 6.7 in. × 7.6 in.)
Weight.....	605 g (1 lb 6 oz)

Environment

The NI SCXI-1128 is intended for indoor use only.

Operating temperature..... 0 °C to 50 °C

Storage temperature

–20 °C to 70 °C

Relative humidity

5% to 85% noncondensing

Recommended warm-up time

5 minutes

Pollution Degree

2

Approved at altitudes up to 2,000 m.

Accessories

Visit ni.com for more information about the following accessories.

Table 1. Accessories Available for the NI SCXI-1128

Accessory	Part Number
NI SCXI-1331 terminal block (64 × 1 1-wire multiplexer) (32 × 1 2-wire multiplexer) (16 × 1 4-wire multiplexer)	777687-31
NI SCXI-1332 terminal block (4 × 8 2-wire matrix)	777687-32
0.40 m matrix expansion cable	185440-0R4
0.75 m matrix expansion cable	185440-0R75

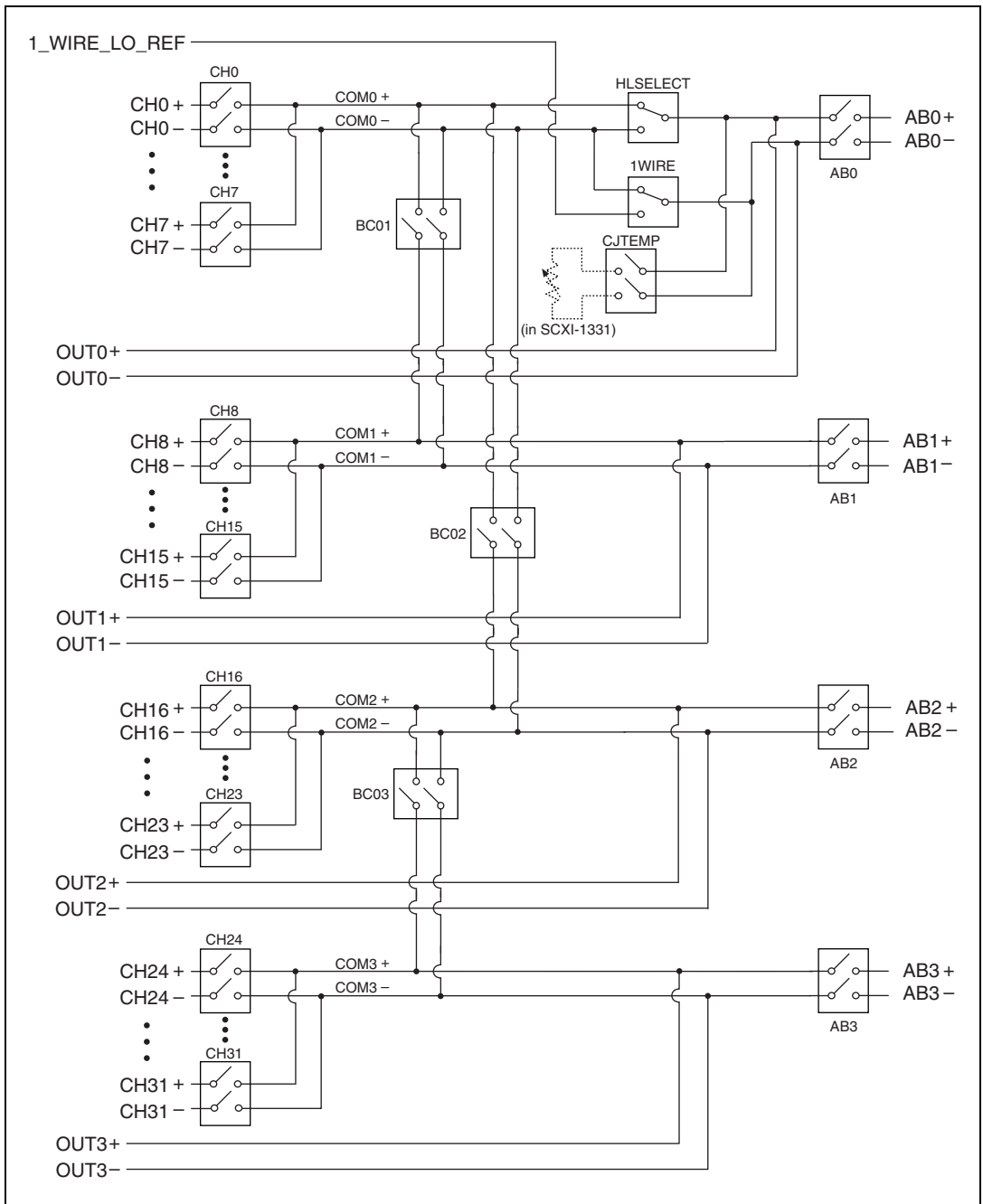


Figure 1. NI SCXI-1128 Power-On State

Compliance and Certifications

Safety

This product is designed to meet the requirements of the following standards of safety for electrical equipment for measurement, control, and laboratory use:

- IEC 61010-1, EN 61010-1
- UL 61010-1
- CAN/CSA C22.2 No. 61010-1



Note For UL and other safety certifications, refer to the product label, or visit ni.com/certification, search by model number or product line, and click the appropriate link in the Certification column.

Electromagnetic Compatibility

Emissions	EN 55011 Class A at 10 m FCC Part 15A above 1 GHz
Immunity	EN 61326:1997 + A2:2001, Table 1
EMC/EMI.....	CE, C-Tick, and FCC Part 15 (Class A) Compliant



Note For EMC compliance, operate this device with shielded cabling.

CE Compliance

This product meets the essential requirements of applicable European Directives, as amended for CE marking, as follows:

Low-Voltage Directive (safety)	73/23/EEC
Electromagnetic Compatibility Directive (EMC)	89/336/EEC



Note Refer to the Declaration of Conformity (DoC) for this product for any additional regulatory compliance information. To obtain the DoC for this product, visit ni.com/certification, search by model number or product line, and click the appropriate link in the Certification column.

National Instruments™, NI™, ni.com™, and SCXI™ are trademarks of National Instruments Corporation. Product and company names mentioned herein are trademarks or trade names of their respective companies. For patents covering National Instruments products, refer to the appropriate location: **Help»Patents** in your software, the `patents.txt` file on your CD, or ni.com/patents.
© 2003–2004 National Instruments Corp. All rights reserved.



373471B-01

Aug04